



FIRESTOP CENTRE

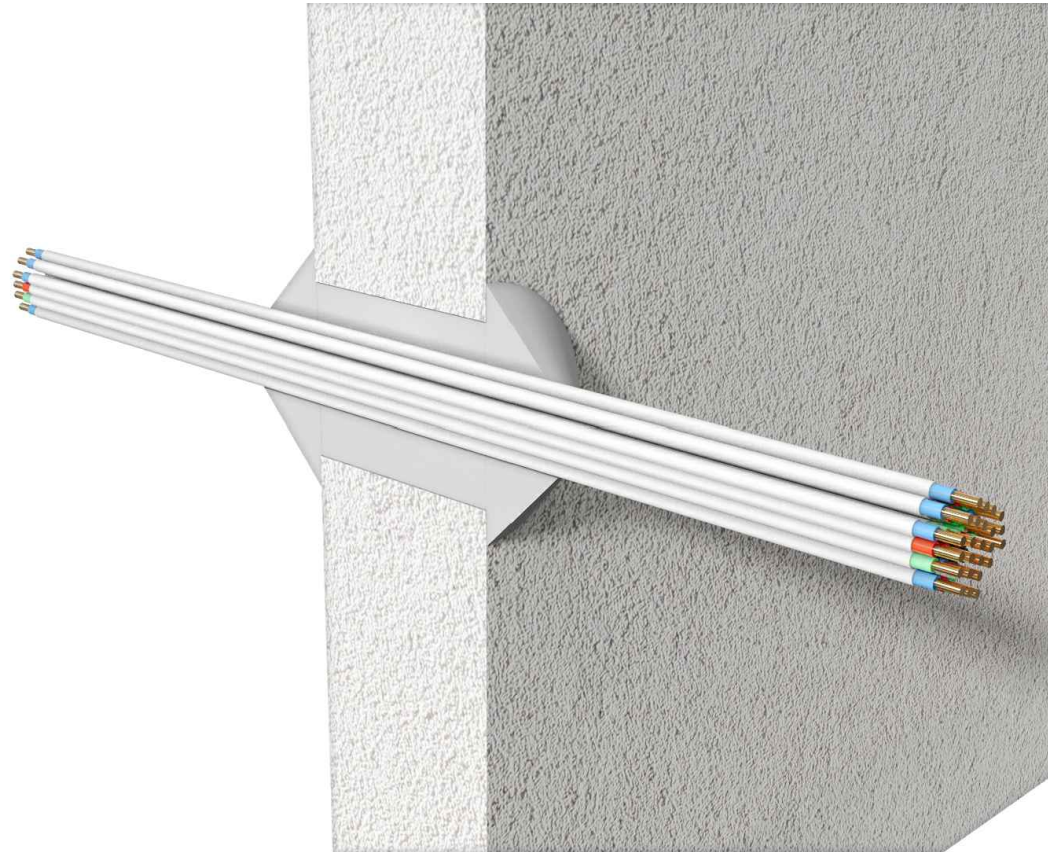
Authorised New Zealand Distributor
Ph (09) 483 4000 www.firestopcentre.co.nz

AGNI-Seal in a Hebel Wall (min 75mm) TPS Cable Bundle (up to 8) Max FRR -/120/60

System ID# FC304

Step-by-step installation instructions:

1. Ensure the aperture is free from dust and debris.
2. Apply AGNI-Seal into the annular gap around the service to the full depth of the wall.
3. Apply 30mm x 30mm AGNI-Seal fillet/cone around the service.



Technical Information

Substrate	Min. 75mm Hebel Wall
Service range	8 x TPS cables
Annular gap	5.2 - 15.4mm
AGNI-Products	AGNI-Seal
Protection installation	From both sides of the wall

Compliance Information

Standards	AS1530.4-2014, AS4072.1-2005
FRR/FRL	-/120/60
Reference	PF24145



8 Clare St Bayswater
VIC 3153, AUSTRALIA
www.agnitek.com.au

Disclaimer

Agnitek reserves the right to modify product specifications without prior notice due to its ongoing research, development & certification programme. The information in this document is provided in good faith and is intended for guidance purposes only. Any accompanying drawings are solely for illustrative purposes. Since Agnitek cannot oversee installation methods or ensure site conditions, no warranties, expressed or implied, are intended regarding the products' actual performance. We do not accept liability for any loss, damage, or injury from using this information. Please take a look at the test reports displayed on a relevant AGNI-System webpage for all compliance specifics.

Date	07.03.2025
------	------------

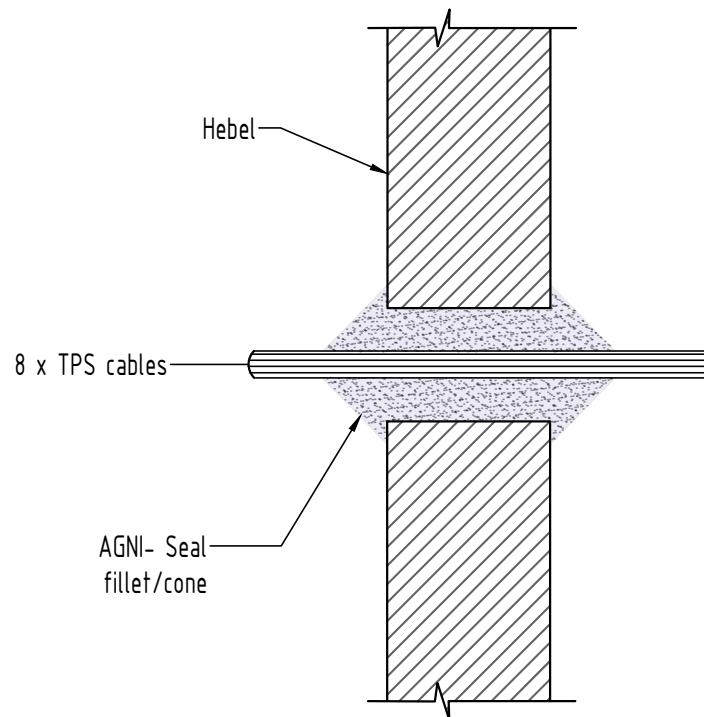


FIRESTOP CENTRE

Authorised New Zealand Distributor
Ph (09) 483 4000 www.firestopcentre.co.nz

AGNI-Seal in a Hebel Wall (min 75mm) TPS Cable Bundle (up to 8) Max FRR -/120/60

System ID# FC304



Technical Information

Substrate	Min. 75mm Hebel Wall
Service range	8 x TPS cables cables
Annular gap	5.2 - 15.4mm
AGNI-Products	AGNI-Seal
Protection installation	From both sides of the wall

Compliance Information

Standards	AS1530.4-2014, AS4072.1-2005
FRR/FRL	-/120/60
Reference	PF24145



8 Clare St Bayswater
VIC 3153, AUSTRALIA
www.agnitek.com.au

Disclaimer
Agnitek reserves the right to modify product specifications without prior notice due to its ongoing research, development & certification programme. The information in this document is provided in good faith and is intended for guidance purposes only. Any accompanying drawings are solely for illustrative purposes. Since Agnitek cannot oversee installation methods or ensure site conditions, no warranties, expressed or implied, are intended regarding the products' actual performance. We do not accept liability for any loss, damage, or injury from using this information. Please take a look at the test reports displayed on a relevant AGNI-System webpage for all compliance specifics.

Date 07.03.2025